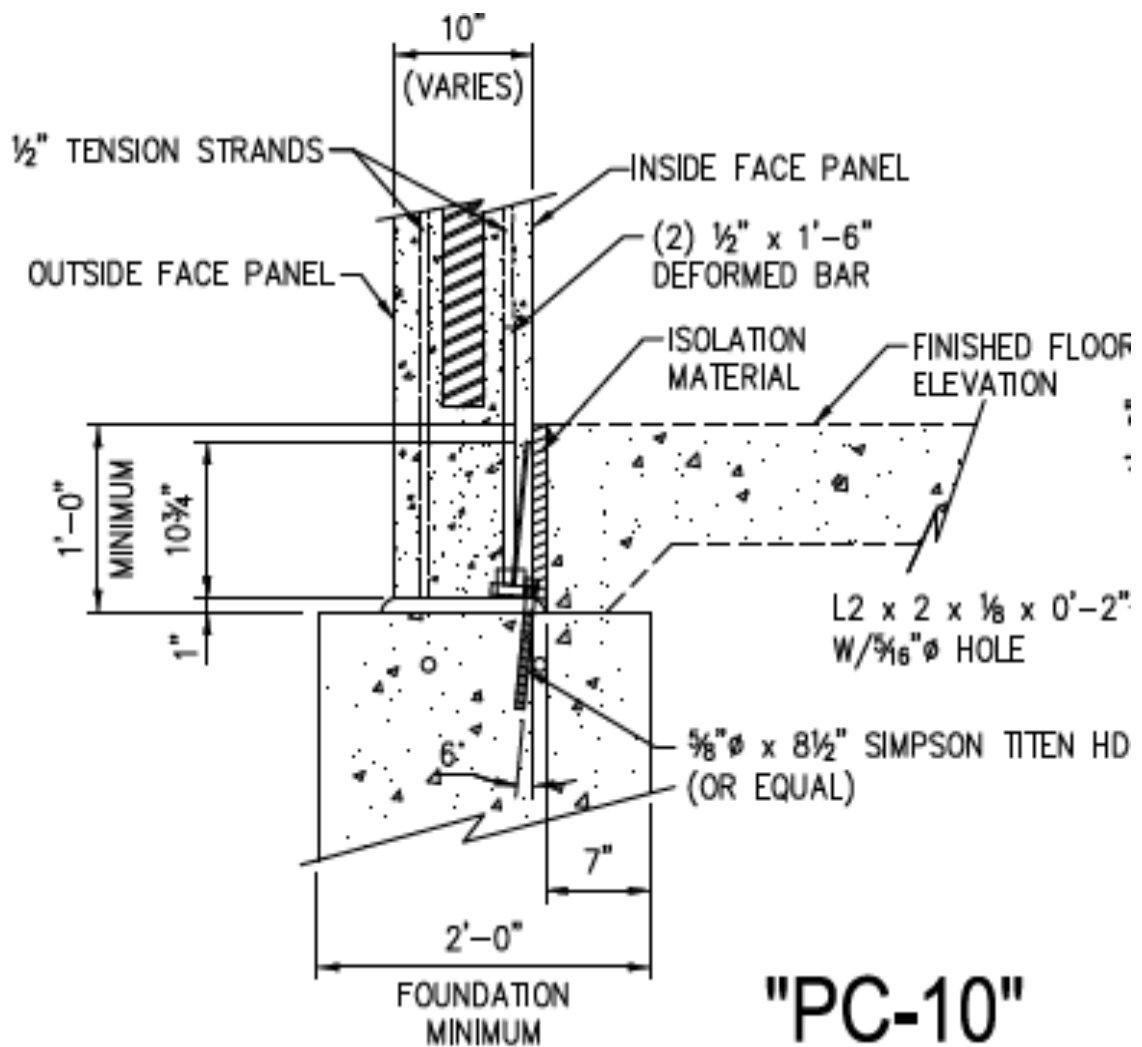


AdvanCONN



"PC-10"
PATENTED